

IMP Experts



IMPing™ Your Success

EVERY PANEL MANUFACTURER WILL CLAIM THEIRS IS THE BEST – WE KNOW, WE’VE WORKED WITH DOZENS AROUND THE WORLD. **AT XIPRE, WE GO FURTHER. WE CHOOSE ONLY MANUFACTURERS WHO CAN TRULY CERTIFY THEIR PRODUCTS AND STAND BEHIND YOUR SUCCESS.** WHAT SETS US APART ISN’T JUST WHAT WE SELL, BUT HOW WE WORK. WITH OVER A MILLION HOURS DEDICATED TO INSULATED METAL PANELS IN THE TOUGHEST ENVIRONMENTS, WE BRING UNMATCHED EXPERTISE TO EVERY PROJECT. **WE UNDERSTAND WHAT’S AT STAKE – YOUR TIMELINE, YOUR BUDGET, YOUR REPUTATION – AND WE SHOW UP NOT JUST AS A SUPPLIER, BUT AS A PARTNER.** AT XIPRE, WE DON’T JUST DELIVER PANELS. **WE PROTECT YOUR INVESTMENT, COLLABORATE ON YOUR VISION, AND HELP YOU BUILD WITH CONFIDENCE.**



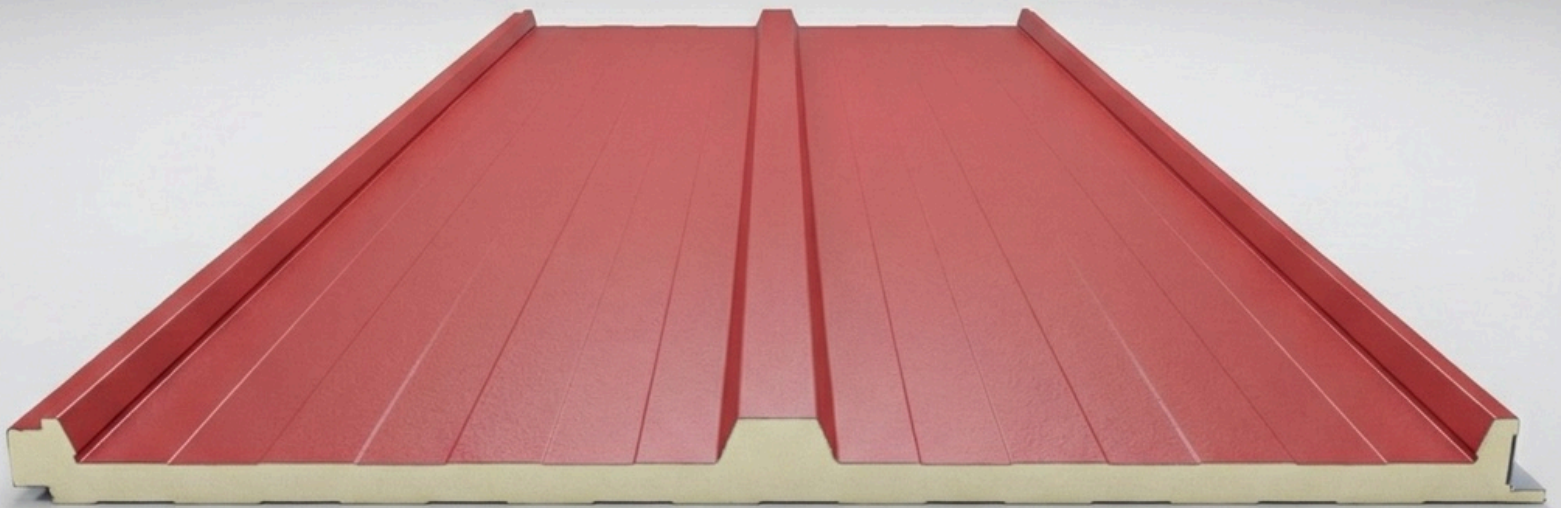
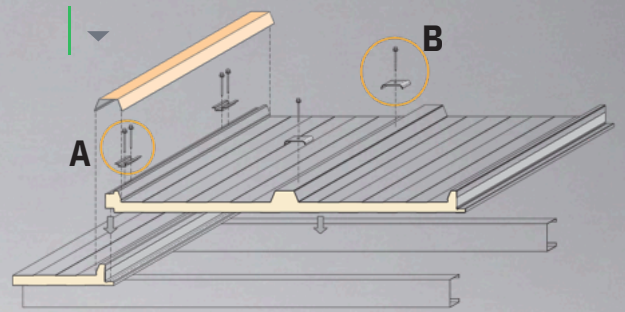
XIPRE USA
Headquarters
6013 Wesley Grove Blvd
Wesley Chapel, 33544,
Florida, US

 www.xipreusa.com
 813 438 3300
 contact@xipreusa.com

XIPRE - C



3 RIBS PANEL



XIPRE STRUCTURAL ROOF SYSTEM (C-SERIES)

The Xipre C-Series is a high-performance, structural insulated roof panel engineered for industrial, commercial, and modular applications. Composed of dual steel facings bonded to a high-density Polyisocyanurate (PIR) core, the system delivers superior thermal efficiency and structural rigidity in a single pass.

Designed for versatility, the C-Series performs effectively on roof slopes as low as $\frac{1}{2} : 12$. The system features a distinct three-rib profile and a specialized concealed fastener joint with a snap-on steel batten cap. This cap protects the fasteners from the elements and provides a clean, continuous aesthetic while ensuring superior weathertightness against harsh environments.



XIPRE - C

3 RIBS PANEL

FEATURES

- Panel Length: Custom cut up to 39' 0"
- Panel Width: 39 3/8" (1000mm) Net Coverage
- Core: Foamed-in-place Polyisocyanurate (PIR)
- Joint System: Tongue & Groove with Concealed Batten Cap
- Accessories: Flashings, Trim, Screws, Bearing Plates, Sealants

COATINGS & FINISHES

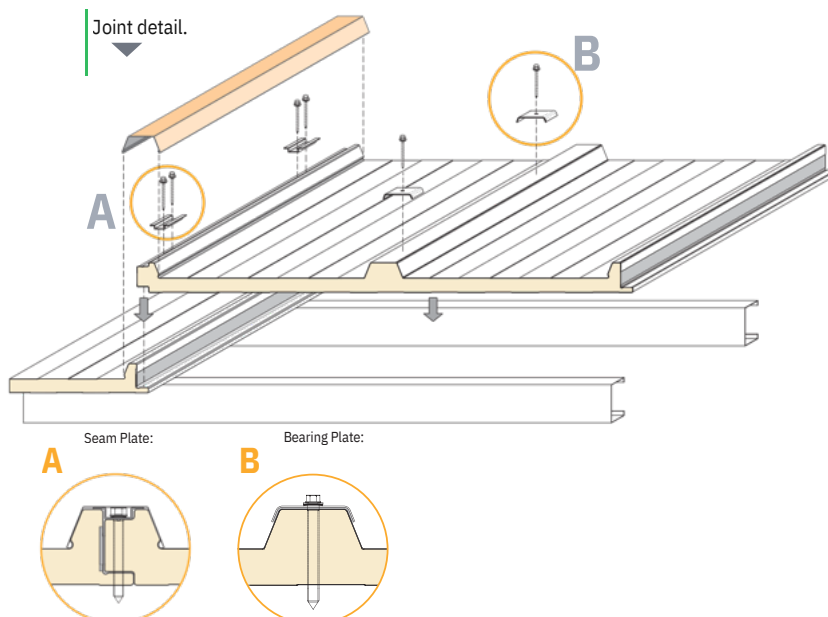
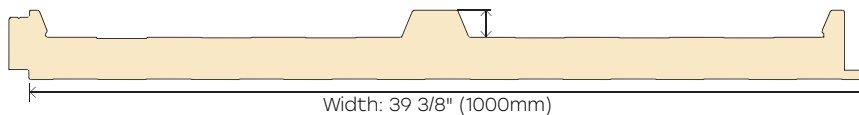
- Exterior Coatings: PVDF (Kynar 500®), Polyester (PE)
- Interior Coating: Polyester (PE) or USDA PVC (Food Safe)
- Colors: Polar White (Stock), Custom Colors Available

BENEFITS

- One-Pass Installation: Replaces deck, insulation, and roof sheet in a single lift.
- Superior Weathertightness: Snap-on Batten Cap completely hides fasteners from the elements.
- High Thermal Efficiency: Continuous insulation (CI) with R-Values up to R-32.
- FM Approved: Class 1-75 & 1-270 Wind Uplift ratings.

APPLICATIONS

- Primary Use: Industrial & Commercial Roofing
- Minimum Slope: 1/2 : 12
- Ideal For: Cold Storage, Warehousing, Modular Buildings, Barndominiums



Nominal Thickness	Weight (PSF)	R-Value (at 75°F)
1.5"	223	11
2"	231	14
2.5"	240	16
3"	256	22
4"	272	27
5"	289	33



XIPRE USA
Headquarters
6013 Wesley Grove Blvd
Wesley Chapel, 33544,
Florida, US

www.xipreusa.com
813 438 3300
contact@xipreusa.com

XIPRE - C

FUNCTIONS AND BENEFITS OF XIPRE - C PANELS

- Efficient thermal insulation
- capacity High mechanical strength
- The fasteners are hidden and protected
- Exceptional dimensional stability
- Watertight against water vapor
- Resistant to aggressive environments
- A versatile material that allows any configuration
- Quick to install and easy to maintain (easy to clean)
- Easily removable and can be reused
- Made to measure, avoids waste
- Made with recyclable materials

REACTION TO FIRE



ASTM E84 (MASTER-PIR) Class A
Flame Spread Index: 20 Smoke developed index: 300



C-s3 d0
N° 3406T18

B-s1 d0
N° 3066T16



Testing and approvals:

Our panel roofing products are designed to meet the most stringent requirements. With extensive experience in manufacturing insulated metal panels on our continuous production line, we have successfully achieved referenced as #FL21699.

Characteristic	Test Standard	Result / Performance
Surface Burning Characteristics	ASTM E84	Class A Rated: Flame Spread Index: 20 Smoke Developed: 300
Wind Uplift Resistance	FM 4471 / ASTM E1592	Class 1-75: 4' 0" Purlin Spacing (min. 1.6" panel) Class 1-270: 1' 0" Purlin Spacing (min. 1.6" panel)
Water Submersion	ASTM E2140	Pass: No leakage maintaining 6" water head for 6 hours (Standing Seam)
Steel Yield Strength	ASTM E8	> 32 ksi (Minimum Yield)

Allowable Inward and Outward Loads (psf). Minimum 2.44" thick 26-26 ga., Three Rib Profile

Panel Span (ft)	Span Condition		
	Single Span	Two Span	3 or more Spans
1	121.8	131.9	137.5
1.5	81.2	88.4	99.7
2	60.9	66.6	74.8
2.5	48.7	53.5	59.9
3	40.6	44.7	49.9
3.5	34.8	38.4	42.8
4	30.5	33.6	37.5

GENERAL NOTES & DESIGN CRITERIA

Deflection Limits: Allowable inward and outward loads are based on panel connection strength and a deflection limit of L/240.

Testing Standards: Allowable loads are derived from ASTM E1592 testing protocols and calculated with a Safety Factor of 2.0 for connections.

Structural Support: The structural capacity of the purlins/supports is not considered in these tables and must be verified independently by the project engineer.

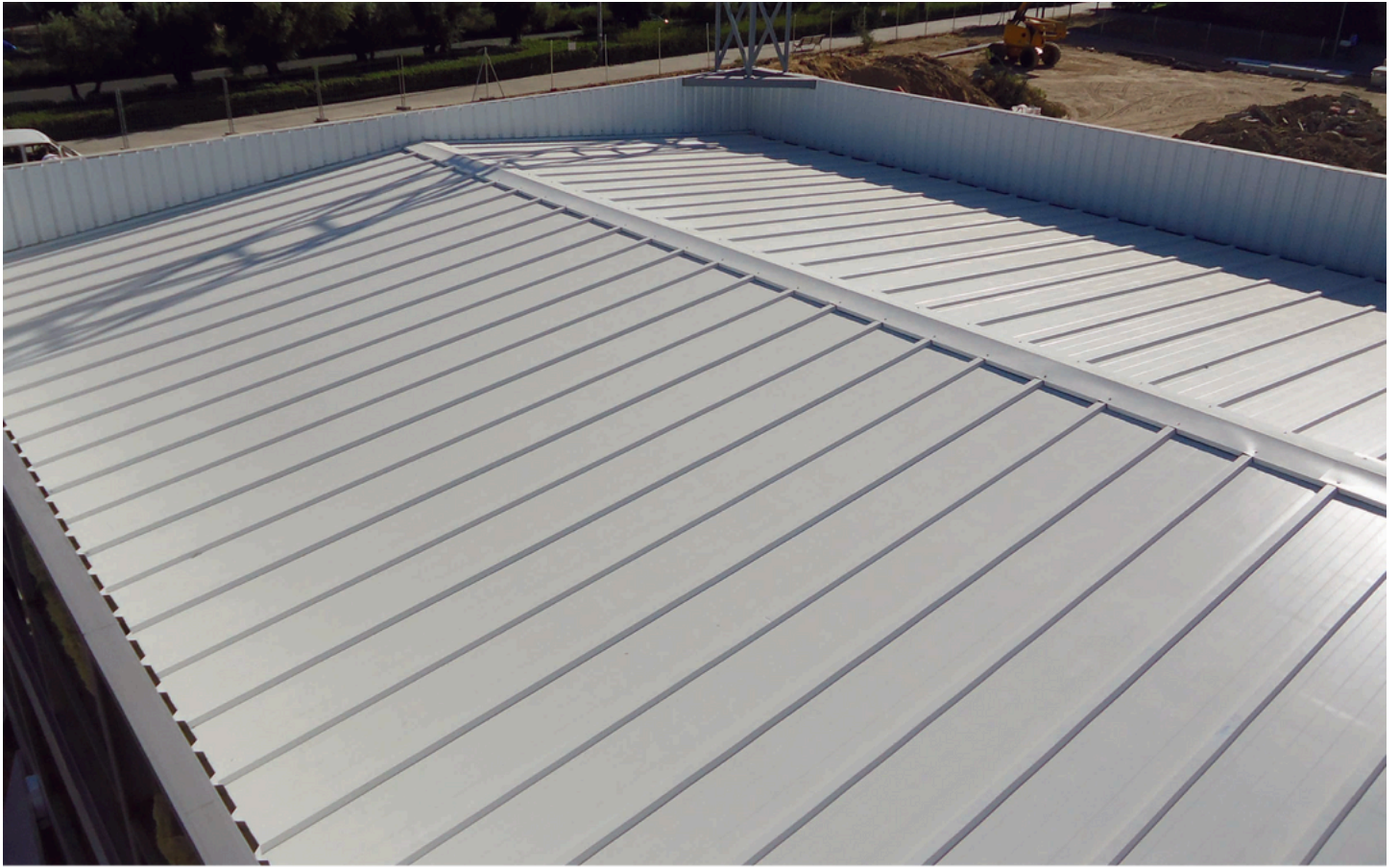
FASTENING SCHEDULE

- Panel Seam: Fasten at each purlin using (2) #14 x 4-1/4" HWH self-drillers with 1/2" bonded sealing washers. Install through a 2-3/8" x 1-9/16" (16 ga.) bearing plate prior to installing the seam cap.
- Intermediate Rib: Fasten at each purlin using (1) #12-24 x 4-1/4" HWH self-driller with 1/2" bonded sealing washer. Install through a 1-9/16" (20 ga.) bearing plate with sealing rubber.
- Seam Cap Stitching: Secure cap with #12-24 x 1" HWH fasteners with 1/2" bonded washers, installed staggered at 30" O.C. (2.5 ft) on either side of the seam cap.



XIPRE USA
Headquarters
6013 Wesley Grove Blvd
Wesley Chapel, 33544,
Florida, US

www.xipreusa.com
813 438 3300
contact@xipreusa.com





6013 Wesley Grove Blvd,
Wesley Chapel, FL, 33544
xipreusa.com
813.438.3300

IMPing™ Your Success

Where IMP meets Innovation

